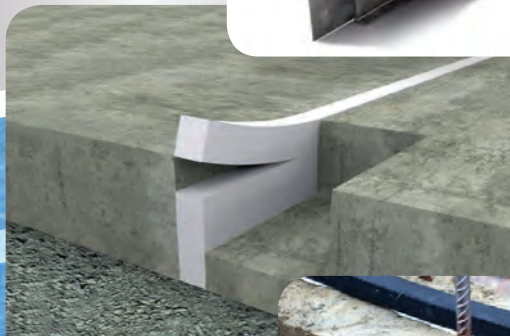
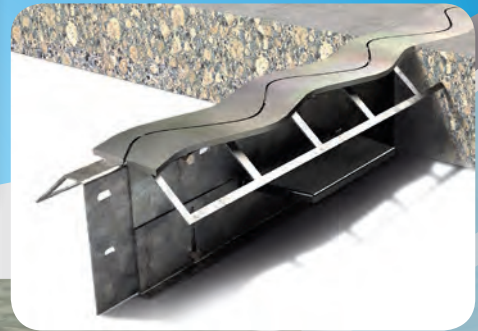




# THE CONSTRUCTION STORE

## 2019 CATALOGUE



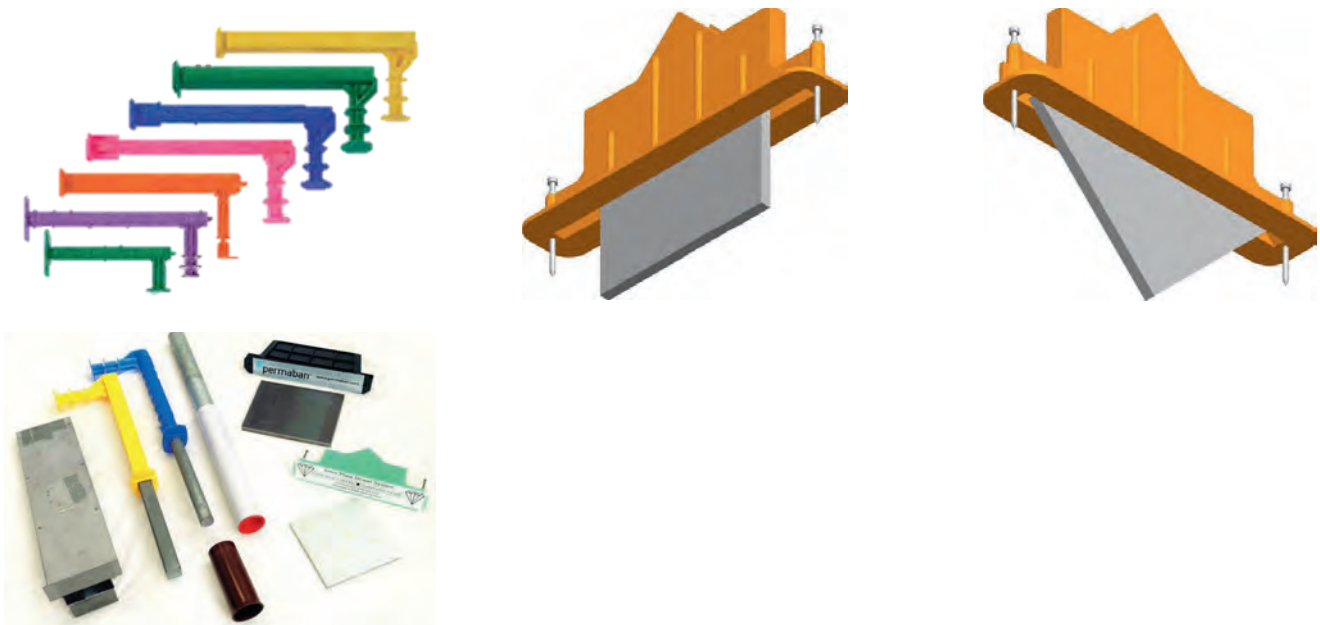
**1300 763 288**  
**[www.constore.com.au](http://www.constore.com.au)**

# REINFORCEMENT, DOWELS & CONTINUITY PRODUCTS

Everything from Builders Film & Bar Chairs to Galvanised or Stainless Steel Mesh and Bar, Rectangular or Diamond Plate Dowels and Sleeves, Square or Round Bar Dowels and Sleeves, Tie Bars, Starter Bars and Threaded Anchors/Ferrules, Reinforcement Bar Couplers, Pull-Out Boxes, Shear Stud Rails and Shear Load Connectors.



# DOWELS & SLEEVES



**Dowels** are available in either Plate, Square or Round section, in many various sizes and lengths, either plain or galvanized. Covers and sleeves come in various configurations such as plastic, metal, composite with compressible inserts, end caps etc. with various methods for attaching to formwork.

PRODUCT CODE	DESCRIPTION
	<b>SLEEVES</b>
DOS024	Round Dowel Sleeve 12mm x 150mm long
DOS027	Round Dowel Sleeve 16mm x 230mm long incl. Nail Base
DOS030	Round Dowel Sleeve 20mm x 230mm long incl. Nail Base
DOS030-1	Round Dowel Sleeve 20mm x 300mm long incl. Nail Base
DOS029	Round Dowel Sleeve 24mm x 225mm long incl. Nail Base
DOS029-1	Round Dowel Sleeve 33mm x 240mm long
DOS028	Round Dowel END CAP to suit R20 - R36
DOS026	Square Plastic Dowel Sleeve 16mm x 230mm long incl. Nail Base
DOS037	Square Plastic Dowel Sleeve 20mm x 230mm long incl. Nail Base
DOS001	Flanged Square Metal Dowel Sleeve 16mm x 220mm - 20mm Foam
DOS002	Flanged Square Metal Dowel Sleeve 20mm x 220mm - 20mm Foam
DOS003	Flanged Square Metal Dowel Sleeve 25mm x 220mm - 20mm Foam
	<b>DOWELS</b>
DOW064	DUO-DOWEL DD6B - 6mm Plate and Multi-Directional Sleeve - Black
DOW065	DUO-DOWEL DD10B - 10mm Plate and Multi-Directional Sleeve - Black

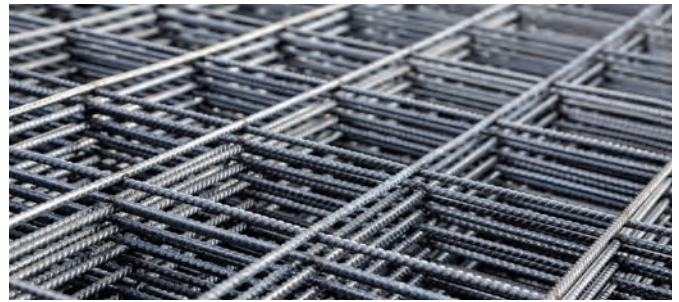
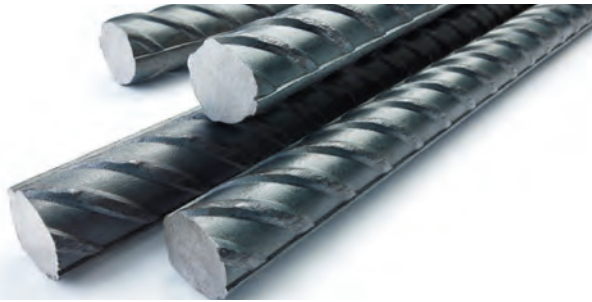
# DOWELS & SLEEVES

PRODUCT CODE	DESCRIPTION
DOW066	DUO-DOWEL DD6G - 6mm Plate and Multi-Directional Sleeve - Galvanised
DOW067	DUO-DOWEL DD10G - 10mm Plate and Multi-Directional Sleeve - Galvanised
DOW061-1	DD10mm Diamond Dowel (black) & Sleeve c/w tape and nails
DOW060-1	DD6mm Diamond Dowel (black) & Sleeve c/w tape and nails
DOW062-1	TD10mm Rectangular Plate Dowel (black) & Sleeve c/w tape and nails
DOW038	Round Dowel 12mm x 300mm - Galvanised
DOW008	Round Dowel 12mm x 400mm - Galvanised
DOW010	Round Dowel 12mm x 460mm - Galvanised
DOW012	Round Dowel 12mm x 600mm - Galvanised
DOW014	Round Dowel 16mm x 400mm - Galvanised
DOW041	Round Dowel 16mm x 450mm - Galvanised
DOW016-1	Round Dowel 16mm x 500mm - Galvanised
DOW016	Round Dowel 16mm x 600mm - Galvanised
DOW018	Round Dowel 20mm x 400mm - Galvanised
DOW051	Round Dowel 20mm x 450mm - Galvanised
DOW020	Round Dowel 20mm x 600mm - Galvanised
DOW022	Round Dowel 24mm x 450mm - Galvanised
DOW024	Round Dowel 24mm x 600mm - Galvanised
DOW046	Round Dowel 27mm x 450mm - Galvanised
DOW039	Round Dowel 27mm x 600mm - Galvanised
DOW057	Round Dowel 28mm x 450mm - Galvanised
DOW059	Round Dowel 30mm x 450mm - Galvanised
DOW026	Round Dowel 33mm x 450mm - Galvanised
DOW028	Round Dowel 33mm x 600mm - Galvanised
DOW058	Round Dowel 12mm x 400mm - Black
DOW009	Round Dowel 12mm x 460mm - Black
DOW011	Round Dowel 12mm x 600mm - Black
DOW013	Round Dowel 16mm x 400mm - Black
DOW015	Round Dowel 16mm x 600mm - Black
DOW017	Round Dowel 20mm x 400mm - Black
DOW040	Round Dowel 20mm x 500mm - Black

# DOWELS & SLEEVES

PRODUCT CODE	DESCRIPTION
DOW019	Round Dowel 20mm x 600mm - Black
DOW042	Round Dowel 24mm x 400mm - Black
DOW021	Round Dowel 24mm x 450mm - Black
DOW023	Round Dowel 24mm x 600mm - Black
DOW025	Round Dowel 33mm x 450mm - Black
DOW027	Round Dowel 33mm x 600mm - Black
DOW055	Round Dowel 20mm x 300mm - Stainless Steel
DOW045	Round Dowel 20mm x 400mm - Stainless Steel
DOW050	Round Dowel 20mm x 450mm - Stainless Steel
DOW056	Round Dowel 20mm x 500mm - Stainless Steel
DOW048	Round Dowel 20mm x 600mm - Stainless Steel
DOW049	Round Dowel 20mm x 800mm - Stainless Steel
DOW0	Round Dowel 24mm x 600mm - Stainless Steel
DOW030	Square Dowel 16mm x 400mm - Galvanised
DOW032	Square Dowel 16mm x 600mm - Galvanised
DOW034	Square Dowel 20mm x 400mm - Galvanised
DOW035	Square Dowel 20mm x 500mm - Galvanised
DOW036	Square Dowel 20mm x 600mm - Galvanised
DOW0	Square Dowel 25mm x 500mm - Galvanised
DOW054	Square Dowel 32mm x 400mm - Galvanised
DOW043	Square Dowel 32mm x 500mm - Galvanised
DOW029	Square Dowel 16mm x 400mm - Black
DOW031	Square Dowel 16mm x 600mm - Black
DOW033	Square Dowel 20mm x 400mm - Black
DOW037	Square Dowel 20mm x 500mm - Black
DOW047	Square Dowel 20mm x 500mm - 316 Stainless Steel

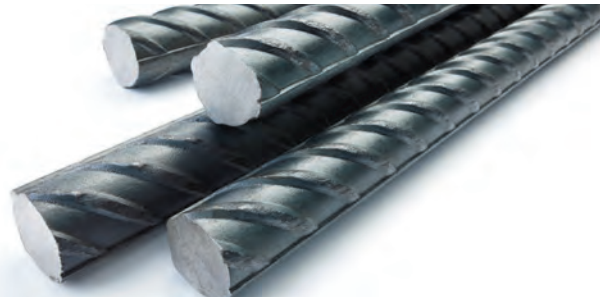
# MESH AND BAR REINFORCEMENTS



## GALVANISED OR STAINLESS STEEL MESH AND BAR

Hot Dipped Galvanised Steel or Stainless Steel ribbed profile reinforcement sheet mesh and trench mesh is available in most common sizes. Standard reinforcing mesh sizes are 6.0m x 2.4m for the SL and RL range of products. The trench mesh products all come 6.0m long with a variety of standard widths from 200mm to 400mm. Please contact TCS for your particular requirements.

## TIE BARS, STARTER BARS AND THREADED ANCHORS/FERRULES



**Tie Bars and Starter Bars** are cut to length from deformed “N” bar and available in black, galvanized or stainless steel. Starter Bars and Threaded Anchors/Ferrules offer a simple connection method for construction joints, typically in wall to slab applications. The anchor/ferrule is cast into the face of the concrete wall. When the formwork and thread protection is removed, the reinforcing bar is screwed into the anchor/ferrule.

PRODUCT CODE	DESCRIPTION
REI040-1	N12 x 250mm Deformed Bar - Galvanised
REI040-2	N12 x 400mm Deformed Bar - Galvanised
REI018	N12 x 600mm Deformed Bar - Galvanised
REI040	N12 x 650mm Deformed Bar - Galvanised
REI042	N12 x 750mm Deformed Bar - Galvanised
REI043	N12 x 1000mm Deformed Bar - Galvanised

## TIE BARS, STARTER BARS AND THREADED ANCHORS/FERRULES

PRODUCT CODE	DESCRIPTION
REI039-2	N12 x 600mm Deformed Bar - 316 Stainless
REI039-1	N12 x 650mm Deformed Bar - 316 Stainless
REI039	N12 x 650mm Deformed Bar - G2304 Stainless
REI004	N16 x 400mm Deformed Bar - Galvanised
REI005	N16 x 600mm Deformed Bar - Galvanised
REI019	N16 x 750mm Deformed Bar - Galvanised
REI019-1	N16 x 900mm Deformed Bar - Galvanised
REI044	N20 x 700mm Deformed Bar - Galvanised
REI038-1	N20 x 1050mm Deformed Bar - Galvanised
REI038	N20 x 1200mm Deformed Bar - Galvanised
REI038-3	N24 x 1250mm Deformed Bar - Galvanised
REI034-1	N32 x 2000mm Deformed Bar - Black
REI015-1	N12 x 600mm Starter Bar c/w M12 x 50mm threaded end and nut at opp. end.
REI017	N16 x 600mm Starter Bar c/w M16 x 50mm threaded end and nut at opp. end.
REI015	N20 x 600mm Starter Bar c/w M20 x 50mm threaded end and nut at opp. end.
REI015-2	N20 x 600mm Starter Bar c/w M20 x 50mm threaded end and SOCKET END
REI020	N20 x 750mm Starter Bar c/w M20 x 50mm threaded end and nut at opp. end.
REI021	N20 x 800mm Starter Bar c/w M20 x 50mm threaded end and nut at opp. end.
REI024	N20 x 900mm Starter Bar c/w M20 x 100mm threaded end and nut at opp. end.

**\*\*Please contact TCS representative for other sizes and bars shapes**

# REINFORCEMENT BAR COUPLERS



There are two main types of Reinforcement Bar Couplers – threaded bar type system or locking bolt/saddle type. The Threaded Bar type system consist of the coupler and the threaded bar to produce a full strength joint and best suited to large scale projects requiring a high volume of couplers. The end of each bar to be joined is threaded which screws into the threaded female coupling.

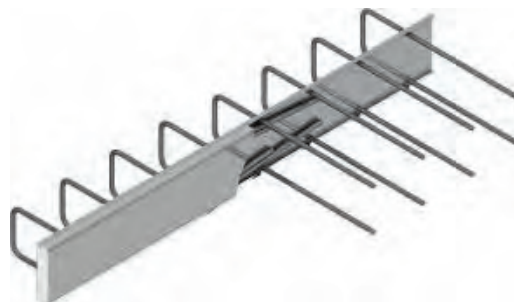
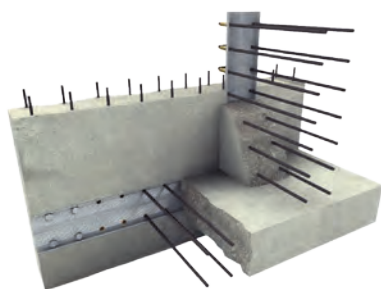
The Locking Bolt/Saddle type couplers are a cost-effective method of joining reinforcing bars, particularly when the fixed bar is already in place and threading cannot be easily performed. The bar ends are supported within the coupler by two serrated saddles, and as the locking bolts are tightened, the conical ends embed themselves into the bar and the serrated saddles bite into both the bar and the shell of the coupler.

PRODUCT CODE	DESCRIPTION
REI032	Ancon BTC12 Coupler
REI026	Ancon BTC16 Coupler
REI037	Ancon BTC24 Coupler
REI037-1	Ancon BTC28 Coupler
REI037-2	Ancon BTLN28 Locknut
REI045	Ancon MBT Rebar Couplers 16mm diameter
REI047	Ancon MBT Rebar Couplers 24mm diameter
REI047-1	Ancon MBT Rebar Couplers 28mm diameter
REI047-2	Ancon MBT Rebar Couplers 32mm diameter
REI047-3	Ancon MBT Rebar Couplers 36mm diameter

**\*\*Please contact TCS representative for other types**



# PULL-OUT BOXES



**Pull-Out Boxes** provide a fast, easy and cost effective solution which allows formwork to be quickly erected and the concrete cast. Once the formwork is stripped, the reverse of the continuity strip can be removed, exposing the captive rebar stirrups which are then re-bent out to form the starter laps for the next element.

PRODUCT CODE	DESCRIPTION
KBX015	Ancon Keybox KB120U5-1000 N12 @ 200 centres 120 wide 1000 long
KBX016	Ancon Keybox KB120U6-1200 N12 @ 200 centres 120 wide 1200 long
KBX047	Ancon Keybox KB120U7-1000 (E150) N12 @ 150 centres 120 wide 1000 long (150 bar depth)
KBX046	Ancon Keybox KB120U7-1000 N12 @ 150 centres 120 wide 1000 long
KBX024	Ancon Keybox KB150U11-1200 N12 @ 110 centres 150 wide 1200 long
KBX017	Ancon Keybox KB150U5-1000 N12 @ 200 centres 150 wide 1000 long
KBX055	Ancon Keybox KB150U6-1000 N12 @ 200 centres 150 wide 1000 long
KBX018	Ancon Keybox KB150U6-1200 N12 @ 200 centres 150 wide 1200 long
KBX049	Ancon Keybox KB150U7-1000 (E150) N12 @ 150 centres 150 wide 1000 long (150 bar depth)
KBX048	Ancon Keybox KB150U7-1000 N12 @ 150 centres 120 wide 1000 long
KBX054	Ancon Keybox KB150U7-1000 N12 @ 150 centres 150 wide 1000 long
KBX023	Ancon Keybox KB150U9-1000 N12 @ 110 centres 150 wide 1000 long
KBX019	Ancon Keybox KB190U5-1000 N12 @ 200 centres 190 wide 1000 long
KBX020	Ancon Keybox KB190U6-1200 N12 @ 200 centres 190 wide 1200 long
KBX053	Ancon Keybox KB190U7-1000 N12 @ 150 centres 190 wide 1000 long
KBX025	Ancon Keybox KB190U9-1000 N12 @ 110 centres 190 wide 1000 long
KBX021	Ancon Keybox KB220U5-1000 N12 @ 200 centres 220 wide 1000 long
KBX022	Ancon Keybox KB220U6-1200 N12 @ 200 centres 220 wide 1200 long
KBX042	Ancon Keybox 16KB150U5-1000 N16 @ 200 centres 150 wide 1000 long
KBX005	Max Frank Stabox 12B1215 N12 @ 150 centres 120 wide 1250 long

# PULL-OUT BOXES

PRODUCT CODE	DESCRIPTION
KBX010	Max Frank Stabox 12B1220 N12 @ 200 centres 120 wide 1250 long
KBX001	Max Frank Stabox 15B1210 N12 @ 100 centres 140 wide 1250 long
KBX006	Max Frank Stabox 15B1215 N12 @ 150 centres 140 wide 1250 long
KBX006-1	Max Frank Stabox 15B1215h13T N12 @ 150 centres 140 wide 1250 long
KBX011	Max Frank Stabox 15B1220 N12 @ 200 centres 150 wide 1250 long
KBX002	Max Frank Stabox 19B1210 N12 @ 100 centres 190 wide 1250 long
KBX007	Max Frank Stabox 19B1215 N12 @ 150 centres 190 wide 1250 long
KBX012	Max Frank Stabox 19B1220 N12 @ 200 centres 190 wide 1250 long
KBX003	Max Frank Stabox 22B1210 N12 @ 100 centres 220 wide 1250 long
KBX008	Max Frank Stabox 22B1215 N12 @ 150 centres 220 wide 1250 long
KBX013	Max Frank Stabox 22B1220 N12 @ 200 centres 220 wide 1250 long
KBX004	Max Frank Stabox 25B1210 N12 @ 100 centres 250 wide 1250 long
KBX009	Max Frank Stabox 25B1215 N12 @ 150 centres 250 wide 1250 long
KBX014	Max Frank Stabox 25B1220 N12 @ 200 centres 250 wide 1250 long

**\*\*Please contact TCS representative for other sizes and bars shapes**

# SHEAR STUD PUNCHING REINFORCEMENT RAILS



Shear Stud Punching Reinforcement Rails are a double-headed stud anchor reinforcement system, typically used for concrete deck-to-column connections. The system is designed to transfer the load further into the concrete deck, create a larger shear area around the column, and resist punching shear forces.

Please note: Shear Stud Punching Reinforcement Rails are non-stock items and manufactured to order. Lead times apply.

PRODUCT CODE	DESCRIPTION
PUN002	Shear Stud Rail - 12mm dia. x 95 long - 4 x headed studs per rail
PUN002-3	Shear Stud Rail - 12mm dia. x 100 long - 4 x headed studs per rail
PUN003	Shear Stud Rail - 12mm dia. x 110 long - 4 x headed studs per rail
PUN004	Shear Stud Rail - 12mm dia. x 115 long - 4 x headed studs per rail
PUN005	Shear Stud Rail - 12mm dia. x 120 long - 4 x headed studs per rail
PUN006	Shear Stud Rail - 12mm dia. x 125 long - 4 x headed studs per rail
PUN007	Shear Stud Rail - 12mm dia. x 130 long - 4 x headed studs per rail
PUN008	Shear Stud Rail - 12mm dia. x 135 long - 4 x headed studs per rail
PUN009	Shear Stud Rail - 12mm dia. x 140 long - 4 x headed studs per rail
PUN010	Shear Stud Rail - 12mm dia. x 145 long - 4 x headed studs per rail
PUN011	Shear Stud Rail - 12mm dia. x 150 long - 4 x headed studs per rail
PUN012	Shear Stud Rail - 12mm dia. x 155 long - 4 x headed studs per rail
PUN013	Shear Stud Rail - 12mm dia. x 160 long - 4 x headed studs per rail
PUN014	Shear Stud Rail - 12mm dia. x 165 long - 4 x headed studs per rail
PUN014-1	Shear Stud Rail - 12mm dia. x 170 long - 4 x headed studs per rail
PUN015	Shear Stud Rail - 12mm dia. x 180 long - 4 x headed studs per rail
PUN015-1	Shear Stud Rail - 12mm dia. x 185 long - 4 x headed studs per rail
PUN016	Shear Stud Rail - 12mm dia. x 200 long - 4 x headed studs per rail
PUN016-1	Shear Stud Rail - 12mm dia. x 215 long - 4 x headed studs per rail
PUN017	Shear Stud Rail - 12mm dia. x 230 long - 4 x headed studs per rail

# SHEAR STUD PUNCHING REINFORCEMENT RAILS

PRODUCT CODE	DESCRIPTION
PUN018	Shear Stud Rail - 12mm dia. x 365 long - 4 x headed studs per rail
PUN019	Shear Stud Rail - 12mm dia. x 450 long - 4 x headed studs per rail
PUN002-1	Shear Stud (headed stud only) - 12mm dia. x 95 long
PUN020-1	Shear Stud (headed stud only) - 12mm dia. x 120 long
PUN020-2	Shear Stud (headed stud only) - 12mm dia. x 130 long
PUN020-3	Shear Stud (headed stud only) - 12mm dia. x 140 long
PUN020-4	Shear Stud (headed stud only) - 12mm dia. x 150 long
PUN020-5	Shear Stud (headed stud only) - 12mm dia. x 160 long
PUN020-6	PL4 x 30mm x 500mm (RAIL ONLY)

**\*\* Contact TCS for sizes not listed**

# SHEAR LOAD CONNECTORS



**Shear Load Connectors** offer significant advantages over plain dowel bars. They are more effective at transferring load and allowing movement to take place. They are easier to fix on-site due to their two-part construction and they can prove to be a more cost-effective solution.

PRODUCT CODE	PRODUCT DESCRIPTION
SHE002	Ancon Staifix Doweling System DSD100 (complete)
SHE002-1	Ancon Staifix Doweling System DSD100 (female)
SHE002-2	Ancon Staifix Doweling System DSD100 (male)
SHE003	Ancon Staifix Doweling System DSD130 (complete)
SHE004	Ancon Staifix Doweling System DSD130 (Female)
SHE045	Ancon Staifix Doweling System DSD65 (complete)
SHE045-1	Ancon Staifix Doweling System DSD65 (Female)
SHE045-2	Ancon Staifix Doweling System DSD65 (Male)
SHE046	Ancon Staifix Doweling System DSD75 (complete)
SHE046-1	Ancon Staifix Doweling System DSD75 (Female)
SHE046-2	Ancon Staifix Doweling System DSD75 (Male)
SHE005	Ancon Staifix Doweling System DSDQ100 (complete)
SHE006	Ancon Staifix Doweling System DSDQ130 (complete)
SHE006-2	Ancon Staifix Doweling System DSDQ130F Female Unit
SHE006-1	Ancon Staifix Doweling System DSDQ130M Male Unit
SHE027-1	Ancon Staifix Doweling System DSDQ30 (Female)
SHE027-2	Ancon Staifix Doweling System DSDQ30 (Male)
SHE027	Ancon Staifix Doweling System DSDQ30(complete)
SHE007	Ancon Staifix Doweling System DSDQ50 (complete)
SHE007-1	Ancon Staifix Doweling System DSDQ50F Female Unit
SHE007-2	Ancon Staifix Doweling System DSDQ50M Male Unit
SHE014-2	Ancon Staifix Doweling System DSDQ65 - Female Unit only
SHE014-1	Ancon Staifix Doweling System DSDQ65 - Male Unit only
SHE014	Ancon Staifix Doweling System DSDQ65 (complete)

# SHEAR LOAD CONNECTORS

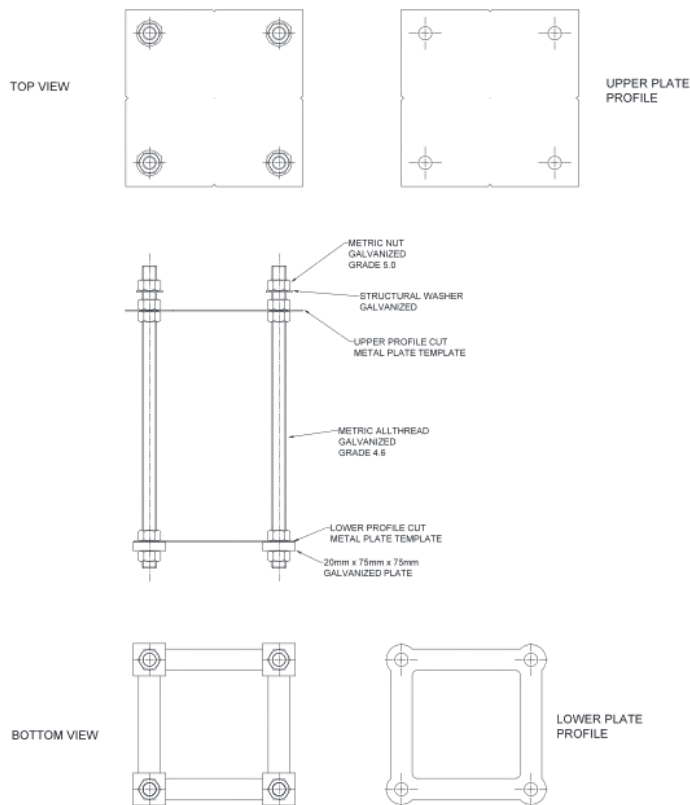
PRODUCT CODE	DESCRIPTION
SHE008	Ancon Staifix Doweling System DSDQ75 (complete)
SHE008-1	Ancon Staifix Doweling System DSDQ75F - Female Unit
SHE008-2	Ancon Staifix Doweling System DSDQ75M - Male Unit
SHE009	Ancon Staifix Doweling System EDSQ10 (complete)
SHE049-1	Ancon Staifix Doweling System ESDQ15 - Female Unit
SHE049	Ancon Staifix Doweling System ESDQ15 (complete)
SHE041-1	Ancon Staifix Doweling System ESDQ20 - Female Unit
SHE041	Ancon Staifix Doweling System ESDQ20 (complete)
SHE031	Ancon Staifix Doweling System ESDQ-L20 Lockable Dowel Slab to Slab Complete
SHE037	Ancon Staifix Doweling System ESDQ-L20W Lockable Dowel Slab to Wall Complete
SHE032	Ancon Staifix Doweling System HLDQ-L30 Lockable Dowel Slab to Slab
SHE047	Ancon Staifix Doweling System ESD15 (complete)
SHE047-1	Ancon Staifix Doweling System ESD15 (Female)
SHE047-2	Ancon Staifix Doweling System ESD15 (Male)
SHE048	Ancon Staifix Doweling System ESD20 (complete)
SHE048-1	Ancon Staifix Doweling System ESD20 (Female)
SHE048-2	Ancon Staifix Doweling System ESD20 (Male)
SHE030	Max Frank Edcodorn WQ40 Shear Force Dowel
SHE029	Max Frank Edcodorn WQ50 Shear Force Dowel
SHE035	Max Frank Edcodorn WQ95 Shear Force Dowel
SHE033	Max Frank Edcodorn WQ70 Shear Force Dowel
SHE038	Max Frank Edcodorn WQ100 Shear Force Dowel
SHE040	Max Frank Edcodorn WQ120 Shear Force Dowel
SHE028	Max Frank Edcodorn WQ150 Shear Force Dowel
SHE044	Max Frank Edcodorn WQ210 Shear Force Dowel
SHE043	Max Frank Egcodubel EDM20HFHQI Shear Force Dowel
SHE042	Max Frank Egcodubel EDM27HFHQI Shear Force Dowel

# HOLD DOWN BOLTS

Bolt connections are used for connecting load-bearing structures, such as columns, beams and walls to other elements and foundations. The bolt connection enables an easy, fast and accurate installation. It is possible to adjust structures at the correct level and vertical position. Bolt connection capacities are defined by the bolts used in the connection and can be supplied with the appropriate templates, plates and washers.

**\*\* HOLDING DOWN BOLTS ARE MANUFACTURED TO ORDER. PLEASE CONTACT TCS FOR PRICING**

TYPICAL HOLD DOWN BOLT ASSY.  
INCL. TEMPLATE PLATES



# BAR CHAIRS & SPACERS



Bar chairs and spacers for concreting provide support for both reinforcing mesh and bar, ensuring that the correct cover of concrete over the reinforcement is achieved.

PRODUCT CODE	DESCRIPTION
BARC001	Plastic Bar Chairs - 25/40 - bag of 100
BARC002	Plastic Bar Chairs - 50/65 - bag of 100
BARC003	Plastic Bar Chairs - 75/90 - bag of 100
BARC004	Plastic Bar Chairs - 85/100 - bag of 100
BARC005	Plastic Bar Chairs - 105/110 - bag of 100
BARC006	Plastic Bar Chairs - 145/150 - bag of 100
BARC007	Metal Spider Bar Chairs - 30mm - bag of 100
BARC008	Metal Spider Bar Chairs - 40mm - bag of 100
BARC009	Metal Spider Bar Chairs - 20mm - bag of 100
BARC010	Metal Spider Bar Chairs - 50mm - bag of 100
BARC011	Metal Spider Bar Chairs - 65mm - bag of 100
BARC012	Metal Spider Bar Chairs - 75mm - bag of 100
BARC013	Metal Spider Bar Chairs - 80mm - bag of 100
BARC014	Metal Spider Bar Chairs - 90mm - bag of 100
BARC015	Metal Spider Bar Chairs - 100mm - bag of 100
BARC016	Metal Spider Bar Chairs - 110mm - bag of 50
BUI173	60MPA Square Cast Concrete Spacer - 30mm Cover
BUI174	60MPA Square Cast Concrete Spacer - 35mm Cover
BUI175	60MPA Square Cast Concrete Spacer - 40mm Cover
BUI176	60MPA Square Cast Concrete Spacer - 45mm Cover
BUI177	60MPA Square Cast Concrete Spacer - 50mm Cover
BUI178	60MPA Square Cast Concrete Spacer - 55mm Cover
BUI179	60MPA Square Cast Concrete Spacer - 60mm Cover



# BAR CHAIRS & SPACERS

PRODUCT CODE	DESCRIPTION
BUI180	60MPA Square Cast Concrete Spacer - 65mm Cover
BUI181	60MPA Square Cast Concrete Spacer - 70mm Cover
BUI182	60MPA Square Cast Concrete Spacer - 75mm Cover
BUI183	60MPA Square Cast Concrete Spacer - 80mm Cover
BUI184	60MPA Square Cast Concrete Spacer - 85mm Cover
BUI185	60MPA Square Cast Concrete Spacer - 90mm Cover
BUI186	60MPA Square Cast Concrete Spacer - 95mm Cover
BUI187	60MPA Square Cast Concrete Spacer - 100mm Cover
BUI167	Concrete Block Spacers - Square 40 mm (Bag of 75)
BUI172	Concrete Block Spacers - Square 50 mm (Bag of 110)
BUI192	Concrete Block Spacers - Square 60 mm (Bag of 90)
BUI193	Concrete Block Spacers - Square 70 mm (Bag of 70)
BUI193-2	Concrete Block Spacers - Square 75 mm (Bag of 65)
BUI193-1	Concrete Block Spacers - Round 90 mm (Bag of 30)
BUI211	Extruded Fibre Cement Bar spacer type "Banana N" - 50mm x 330mm



**Plastic packers/Shims** are available in multiple thicknesses for use in formwork, pre-cast panels and general construction.

PRODUCT CODE	DESCRIPTION
BUI214	Plastic Packer / Shim - 150mm x 100mm - 1mm thick - pack of 100
BUI214-1	Plastic Packer / Shim - 150mm x 100mm - 2mm thick - pack of 200
BUI214-2	Plastic Packer / Shim - 150mm x 100mm - 3mm thick - pack of 100
BUI215	Plastic Packer / Shim - 150mm x 100mm - 5mm thick - pack of 100
BUI216	Plastic Packer / Shim - 150mm x 100mm - 10mm thick - pack of 40
BUI216-1	Plastic Packer / Shim - 150mm x 100mm - 15mm thick - pack of 40
BUI216-2	Plastic Packer / Shim - 150mm x 100mm - 20mm thick - pack of 30

# PLASTIC BUILDERS FILM



We stock and supply all types of plastic film for use in the construction industry. Polythene Builders Film is available in medium and high impact black or orange.

PRODUCT CODE	DESCRIPTION
PLA007	Builders Film - HEAVY DUTY ORANGE - 2m/4m x 25m long 300um
PLA003	Builders Film - HIGH IMPACT BLACK - 2m/4m x 50m long 200um
PLA005	Builders Film - HIGH IMPACT ORANGE - 2m/4m x 50m long 200um
PLA006	Builders Film - HIGH IMPACT ORANGE - 6m x 33m long 200um
PLA012	Builders Film - Standard Black - 1m/2m x 50m long 200um
PLA002	Builders Film - Standard Black - 2m/4m x 100m long 100um
PLA004	Builders Film - Standard Black - 2m/4m x 50m long 200um
PLA001	48mm Duct Tape - 30m roll